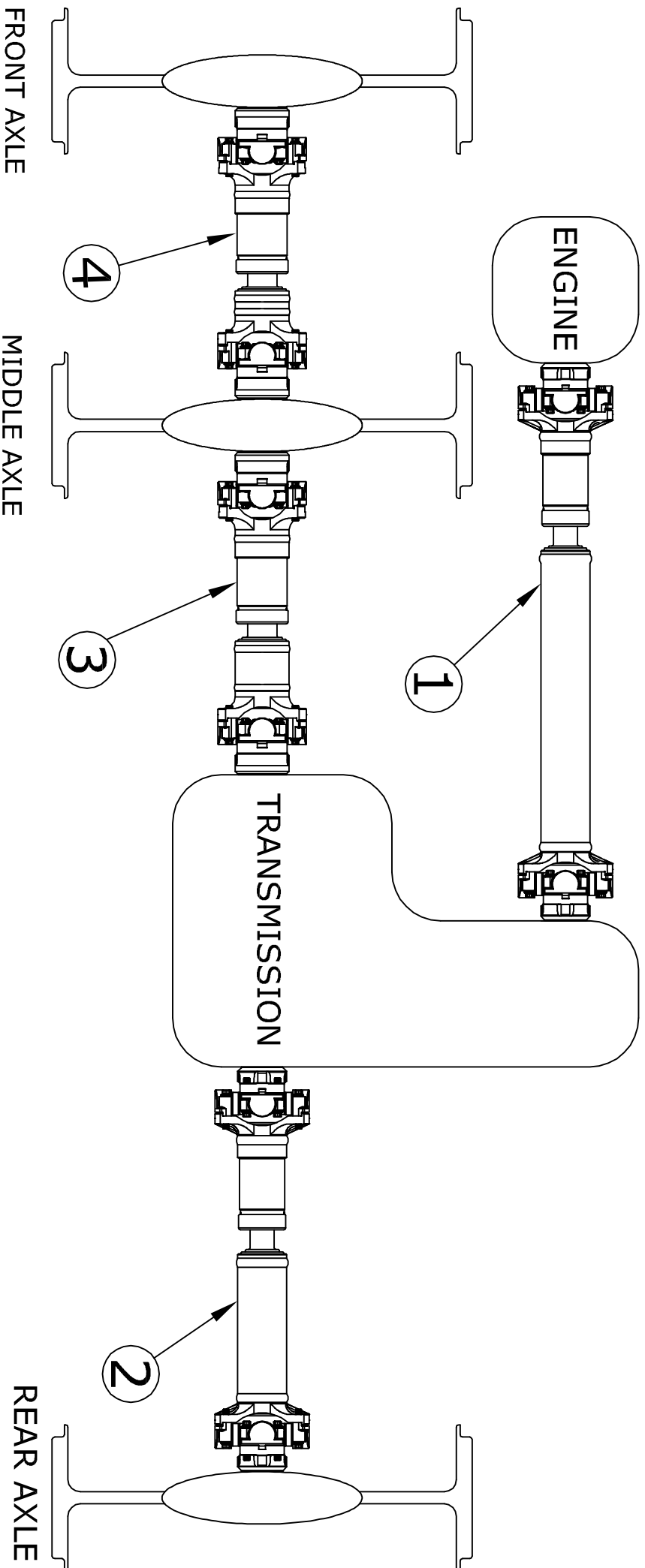
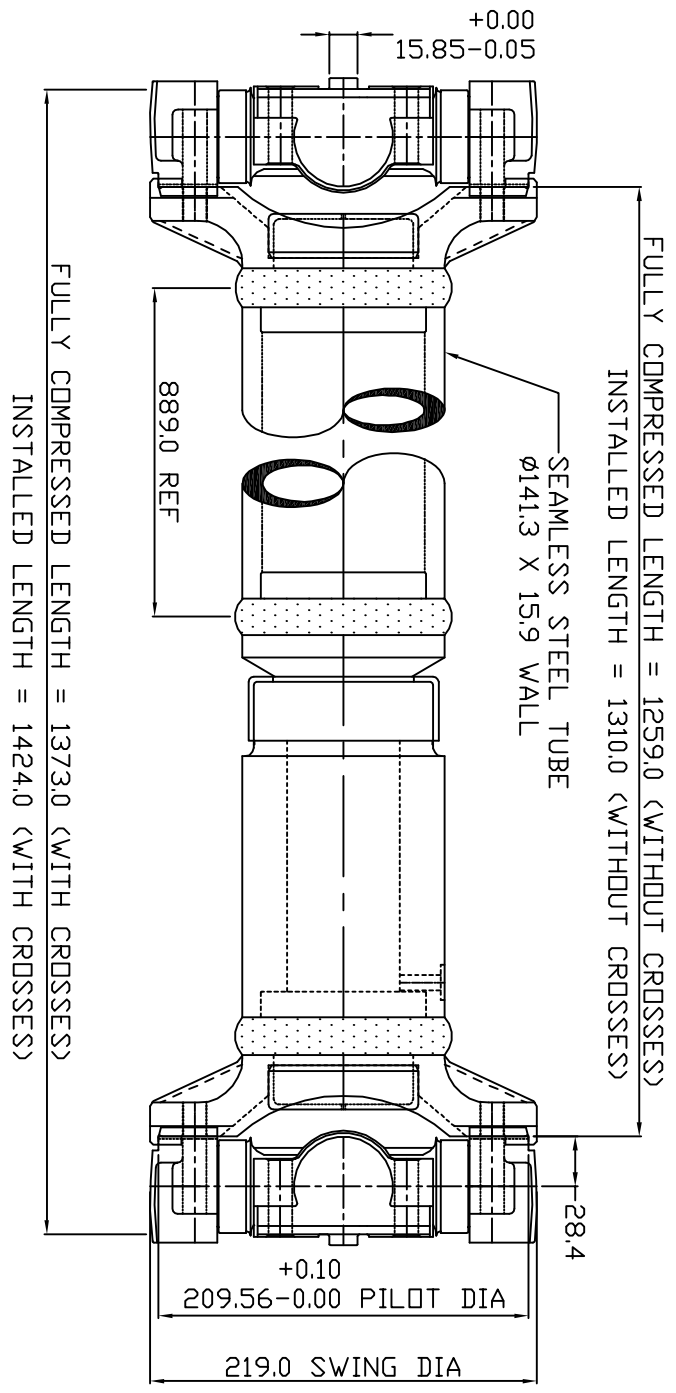


LAYOUT OF CARDAN SHAFTS FOR 3-AXLE SAN LOCO AT "RTPP"



S.NO	CARDAN SHAFT	INSTALLED LENGTH WITHOUT CROSSES	JOINT SIZE	SAN PART No	PTC PART No
1	ENGINE TO TRANSMISSION.	1310 mm	W12	36010460	30084
2	TRANSMISSION TO REAR AXLE.	980 mm	W12	36010280	30085
3	TRANSMISSION TO MIDDLE AXLE.	980 mm	W18	36020320	30086
4	MIDDLE AXLE TO FRONT AXLE.	510 mm	W18	36000170	30087

30084



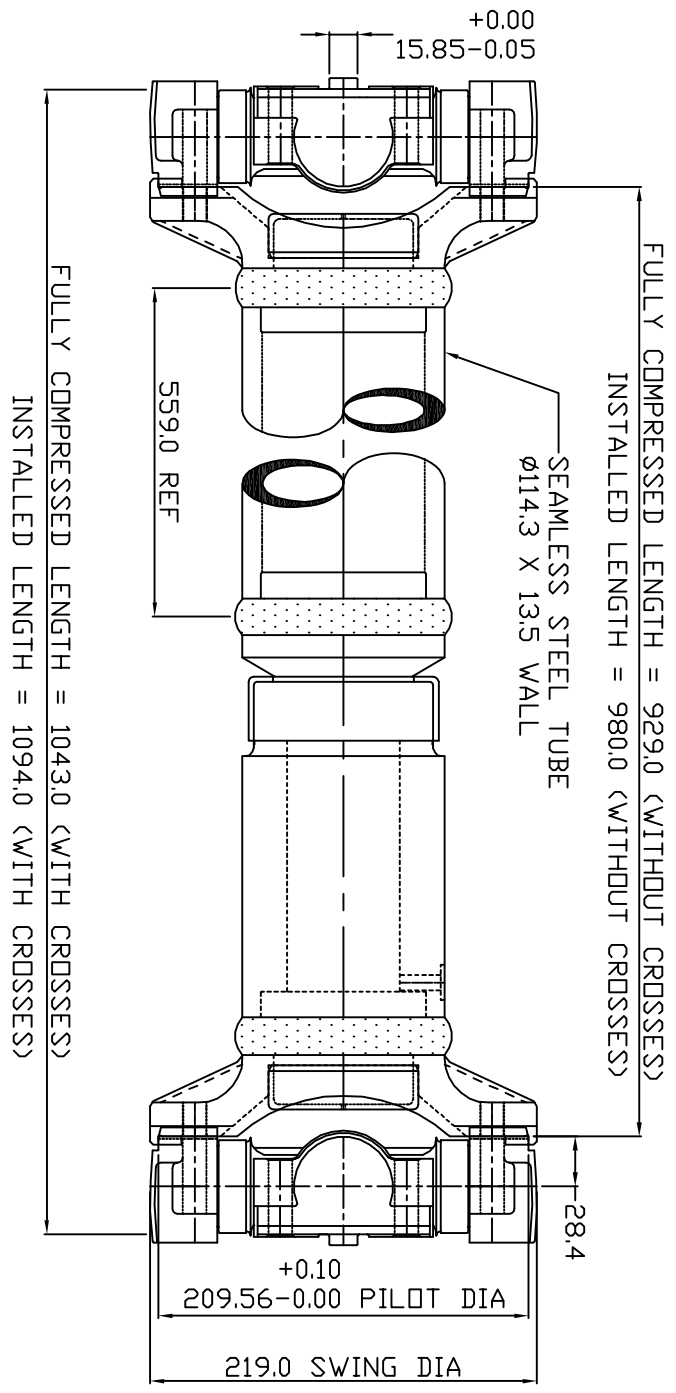
- NOTE:
1. JOINT SIZE : W12,
 2. SLIP : 102.0
 3. DYNAMIC BALANCE :
 4. APPLICATION :
- AS PER BALANCE GRADE G16-ISO1940 , AT 3000 R.P.M.
- MODEL : SAN LOCO - RTPP - ENGINE TO TRANSMISSION.

ALL DIMENSIONS ARE IN "MM"

		PTC POWER TRAIN COMPONENTS	
		CHENNAI - 32.	
DRN : KVG	DATE: 24/02/2011	SCALE :	NIS
CHK : VCM	DATE: 24/02/2011	PROJECTION :	1st
APPD : VCM	DATE: 25/02/2011	PART NO :	30084
01	25/02/2011	RELEASED TO PRODUCTION	
ISSUE	DATE	CHANGE RECORD	

W12 CARDAN SHAFT - ENGINE TO TRANS

30085



NOTE:

1. JOINT SIZE : W12,
2. SLIP : 102.0
3. DYNAMIC BALANCE :
4. APPLICATION :

AS PER BALANCE GRADE G16-ISO1940 , AT 3000 R.P.M.

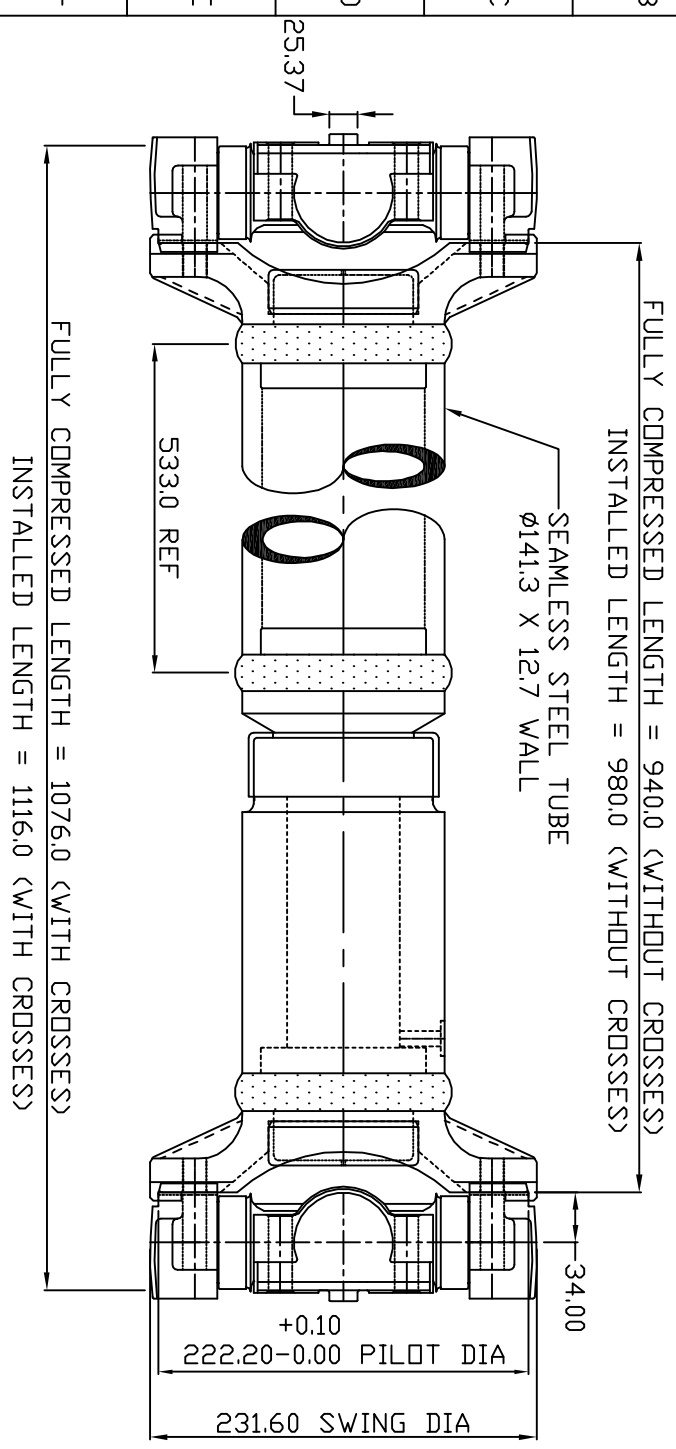
MODEL : SAN LOCO - RTPP - TRANSMISSION TO REAR AXLE.

ALL DIMENSIONS ARE IN "MM"

		POWER TRAIN COMPONENTS CHENNAI - 32.	
DRN : KVG	DATE: 24/02/2011	SCALE :	NIS
CHK : VCM	DATE: 24/02/2011	PROJECTION :	
APPD : VCM	DATE: 25/02/2011	PART NO :	30085
01	25/02/2011	RELEASED TO PRODUCTION	
ISSUE	DATE	CHANGE RECORD	

W12 CARDAN SHAFT - TRANS TO REAR

30086



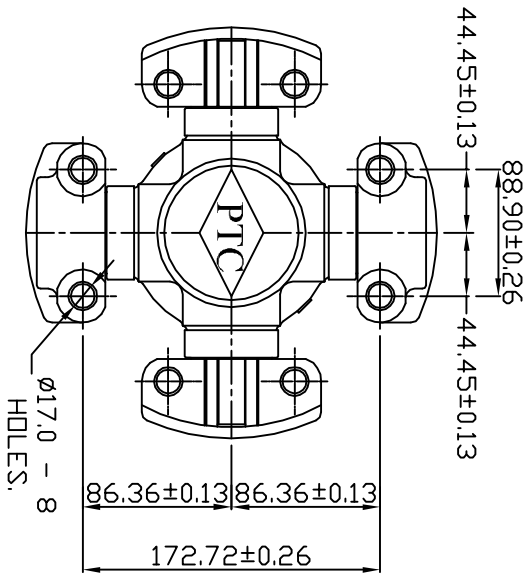
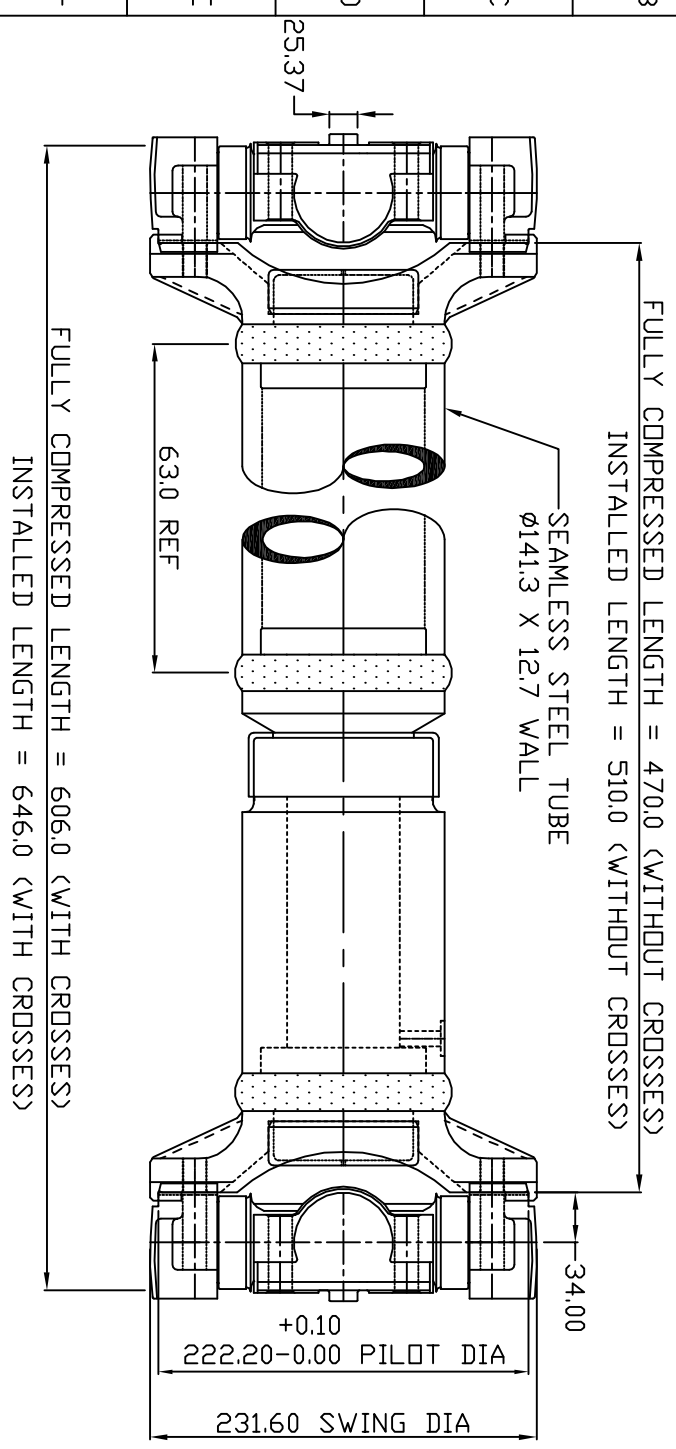
- NOTE:
1. JOINT SIZE : W18,
 2. SLIP : 80.0
 3. DYNAMIC BALANCE :
 4. APPLICATION :

AS PER BALANCE GRADE G16-ISO1940 , AT 3000 R.P.M.
 MODEL : SAN LOCO - RTPP - TRANSMISSION TO MIDDLE AXLE.

ALL DIMENSIONS ARE IN "MM"

PTC POWER TRAIN COMPONENTS	
CHENNAI - 32.	
DRN : KVG	DATE: 24/02/2011
CHK : VCM	DATE: 24/02/2011
APPD : VCM	DATE: 25/02/2011
01	25/02/2011
ISSUE	DATE
	RELEASED TO PRODUCTION
	CHANGE RECORD
W18 CARDAN SHAFT - TRANS TO MID	

30087



NOTE:

- 1. JOINT SIZE : W18,
- 2. SLIP : 80.0
- 3. DYNAMIC BALANCE :
- 4. APPLICATION :

AS PER BALANCE GRADE G16-ISO1940 , AT 3000 R.P.M.

MODEL : SAN LOCO - RTPP - MIDDLE AXLE TO FRONT AXLE.

ALL DIMENSIONS ARE IN "MM"

				POWER TRAIN COMPONENTS CHENNAI - 32.	
DRN : KVG	DATE: 24/02/2011	SCALE :	NTS		
CHK : VCM	DATE: 24/02/2011	PROJECTION :	1st ANGLE		
APPD : VCM	DATE: 25/02/2011	PART NO. :	30087		
ISSUE	DATE	RELEASED TO PRODUCTION			
01	25/02/2011	CHANGE RECORD			
		W18 CARDAN SHAFT - MID TO FRNT			