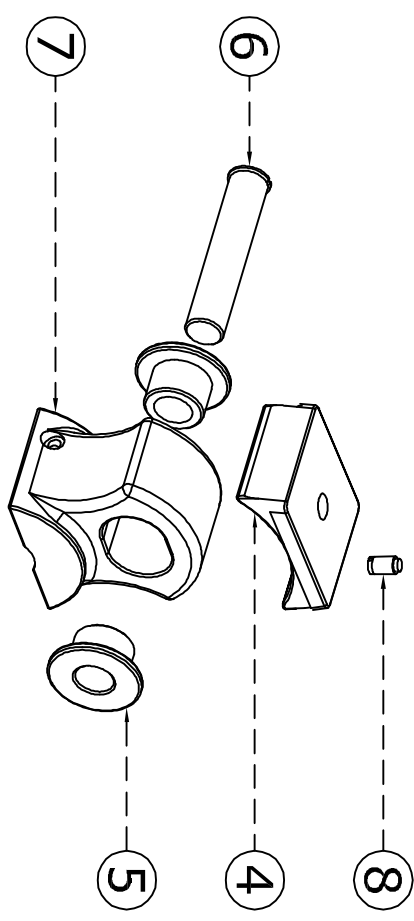
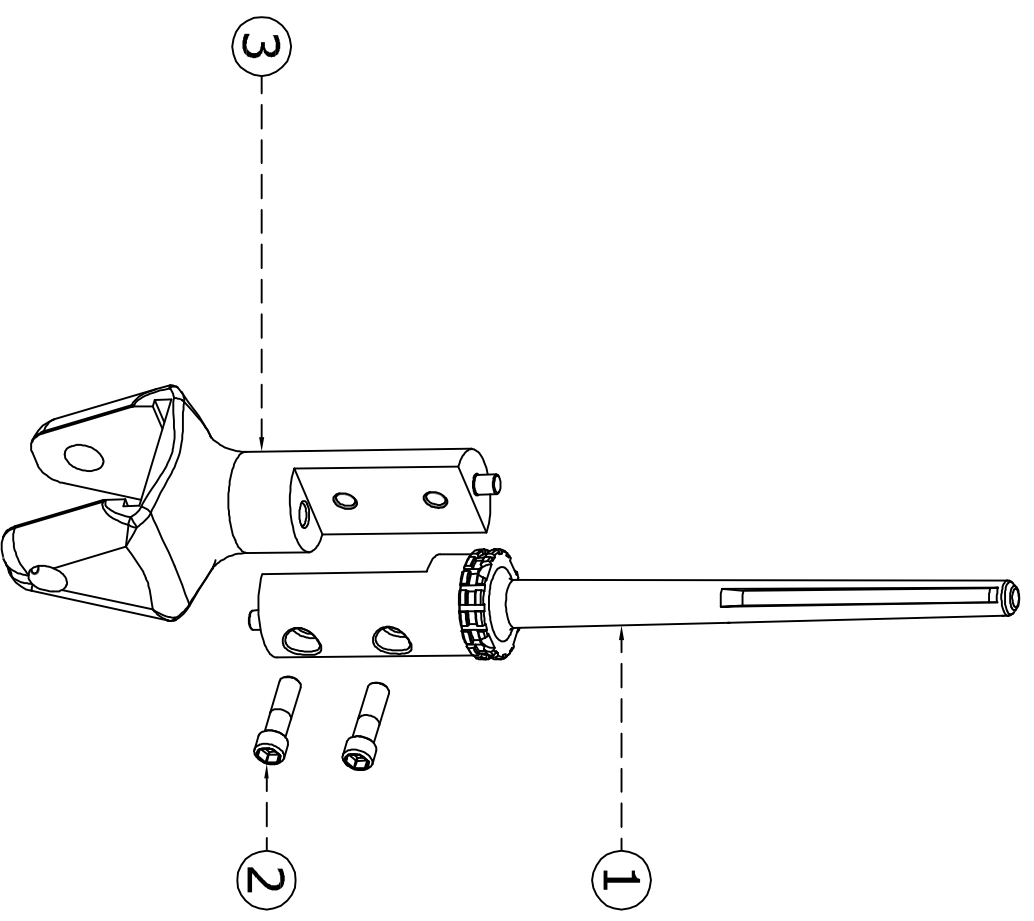


S.No	DESCRIPTION
1	EXTENSION SHAFT.
2	SCREW.
3	ANKLE JOINT.
4	THRUST BEARING PAD.
5	COLLAR BUSH.
6	PIN.
7	TALUS COMPONENT.
8	SCREW M4.



<b>VIEW:</b> EXPLODED VIEW		<b>TITLE:</b> CUSTOM MEGA PROSTHESIS DISTAL TIBIAL PROSTHESIS WITH ANKLE JOINT	
<b>MATERIAL:</b> T. Alloy / SS		<b>SCALE:</b> NTS	
<b>Patient Name:</b>		<b>Machinist:</b>	<b>Batch No:</b>
<b>DRG No.:</b>		<b>Date:</b>	<b>REV.:</b>
<b>Part No.:</b>	<b>DRAWN BY:</b> KVG	<b>01-12-2014</b>	<b>EAGLE OSTEON TECHNOLOGIES</b> No. 4/9, Flag Staff Street, Royapuram, Chennai - 600 013.
<b>Code No.:</b> 10	<b>CKD &amp; Appd BY:</b>	<b>01-12-2014</b>	